



Winterwarm WWH Series

Winterwarm presents the WWH-series: a water heater which can heat up any area comfortably in combination with every kind of central heating system.



Winterwarm
heating solutions 

Characteristics WWH series:

- Good air circulation
- Comfortable temperature distribution
- Various air discharge possibilities
- Can be installed anywhere
- 9 capacities available
- Simple to control
- Long duration of life

The Winterwarm WWH is a simple, effective water heater, offering excellent value for money. Due to a balanced design and an excellent combination of fan, heat exchanger and discharge possibilities, the Winterwarm WWH is an ideal appliance for heating a shop, workshop or even a warehouse.

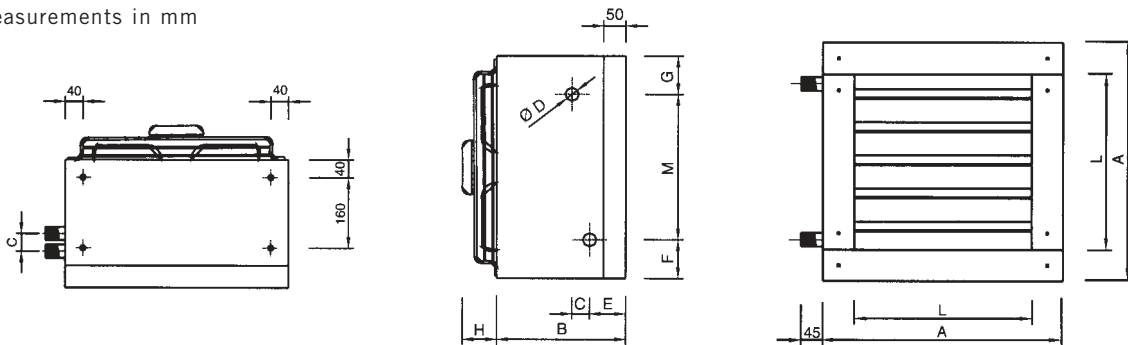
Technical

Like all Winterwarm products, durability and quality are very important features. The WWH heat exchanger consists of a combination of copper pipes and aluminium fins. This tried and tested design produces an even heat transfer and with the fan situated within the casing the noise levels are very low. The fan blades are made of a high quality fibre-reinforced synthetic material, allowing the blades to be shaped in such a way that an optimum air circulation can be achieved. It is possible to control the revolutions per minute by changing the supply voltage on the motor. This can be regulated with a 5-stage switch (optional).

Installation and suspension

The WWH heater is easy to install. The water connections can be mounted on either side of the heater. As an option a thermostat can be fitted preventing the fan from starting until the heat exchanger is up to temperature. A simple 230 volt room thermostat can also be used to control the WWH itself. The standard grill can be altered easily, allowing the air to be directed in any desired discharge direction. The WWH heaters are all provided with 8 x M10 suspension points, these are placed on two opposite sides of the heater. For fixing to the wall Winterwarm offers cantilever brackets; for fixing to the ceiling a set of 4 connection strips are available.

measurements in mm



Measurement

The range of 10-80 kW is subdivided in 3 models. The model of the heater is the first number of the type name (1,2 or 3).

Type	110	115	120	230	235	245	350	365	380
Model	1	1	1	2	2	2	3	3	3
A	505	505	505	679	679	679	834	834	834
B	290	290	290	290	290	290	340	340	340
C	40	40	43	40	40	43	40	40	43
D	3/4"	3/4"	3/4"	3/4"	3/4"	1"	1"	1"	1"
E	81	81	79.5	81	81	79.5	81	81	79.5
F	87.5	87.5	75	87	87	74.5	89.5	89.5	77
G	87.5	87.5	87.5	87	87	87	89.5	89.5	89.5
H	90	90	90	135	135	135	190	190	190
L	375	375	375	535	535	535	690	690	690
M	330	330	342.5	505	505	517.5	655	655	667.5

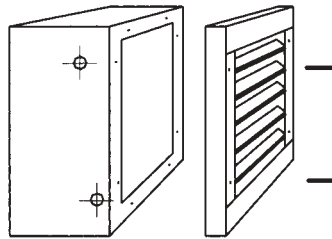
Discharge possibilities

- The standard grill is best suited for rooms no higher than 4 m and with the heater mounted to the wall discharging horizontally. The grill can be rotated, depending on which side the water connections need to be located. Additional louvres can be supplied to spread the air more evenly; consequently the throw is reduced by about 30%.
- In rooms between 5 and 8 meters high, it is recommended to place the heater horizontally and let the warm air discharge vertically; additional louvres will improve the air distribution.
- When the room is more than 8 m high, the WWH can be supplied with a conic plenum. This will increase the air speed in order to achieve a higher throw.
- For rooms with a ceiling height lower than 4 m and for the use in false ceilings, a four way down flow plenum is available to distribute the warm air in all directions.

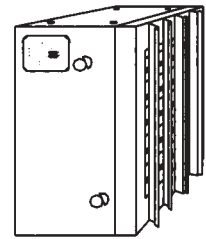
Model

Type	1	2	3
number of louvres	3	5	6
A	505	679	834
P	240	240	290
Q	415	550	700
R	250	330	420
M	200	200	200

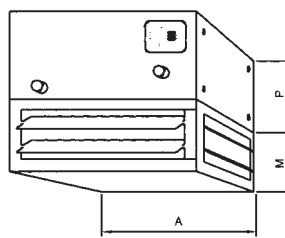
standard grill



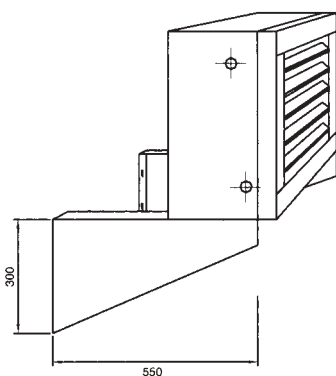
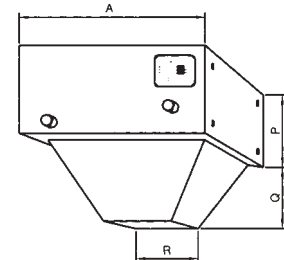
with extra louvres



4-way downflow plenum

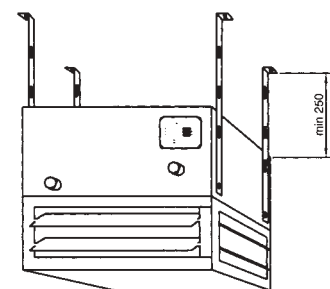
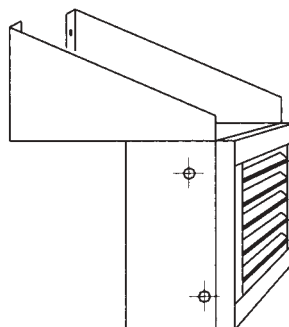


conic plenum



GA.8595

suspension



GA.8600

Technical data

Valid at watertemp. 90/70 °C (air temperature 15°C)

Type	unit	110	115	120	230	235	245	350	365	380
Heating capacity	kW	12,9	15,4	19,6	30,1	36,3	45,3	51,6	63,7	76,8
Airmovement	m ³ /hr	1358	1812	1470	3244	4396	3937	5345	7600	5955
Throw	m	10	14	12	19	22	19	20	25	21
Electrical supply	V	230	230	230	230	230	230	230	230	230
Consumed current (max)	A	0,6	1,2	1,2	1,1	1,7	1,7	1,1	3,2	3,2
Weight incl. water	kg	20	20	21	31	31	32	44	61	65
Water connection (buitendraads)	G"	3/4	3/4	3/4	3/4	3/4	1	1	1	1
Watersided pressureloss	kPa	2	3	2	6	9	6	4	6	12
Recommended suspension height	m	2,5	2,5	2,5	2,5	2,5	2,5	2,5	2,5	2,5
Noiselevel	dB(A)	50	59	58	52	57	56	58	61	62



Winterwarm: leading

Winterwarm has been engaged in the development, production and sales of industrial heating in Europe since 1936. The company not only specialises in indirect fired unit air heaters, but also sells radiant tubes, rooftops, water heaters and destratification fans.

Winterwarm
heating solutions 

Winterwarm BV

Industrieweg 8 Winterswijk The Netherlands
P.O.Box 36 NL-7100 AA Winterswijk The Netherlands
Tel. +31 (0)543 54 63 00 Fax +31 (0)543 54 63 10
www.winterwarm.nl info@winterwarm.nl

Winterwarm UK Ltd.

Unit H3, Taylor Business Park, Warrington Road,
Risley, Warrington, Cheshire WA3 6BL
Tel. +44 (0)870 90 89 906 Fax +44 (0)192 57 62 996
www.winterwarmuk.com enquiries@winterwarmuk.com

Famous Winterwarm quality

- 70 years of experience
- ISO 9001-2000 certified
- Quick delivery
- Reliable